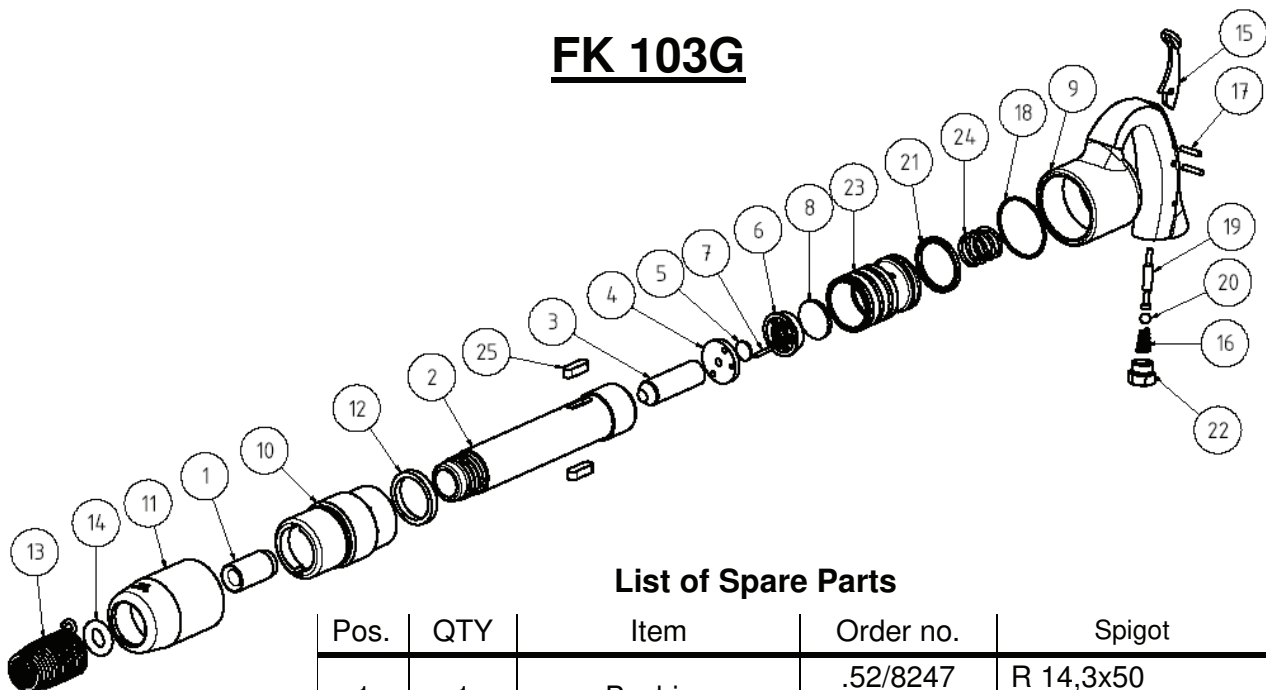


FK 103G



List of Spare Parts

Pos.	QTY	Item	Order no.	Spigot
1	1	Bushing	.52/8247	R 14,3x50
			.52/8248	RS 14,3
2	1	Cylinder	.52/0318	
3	1	Piston	.52/0015	
4	1	Bottom cap	.52/0053	
5	1	Control plate	307/2501	
6	1	Top cap	.52/0052	
7	1	Pin	.304/5646	
8	1	Buffer	.52/0322	
9	1	Handle complete	.52/0302	
10	1	Cylinder hood	.52/0327	
11	1	Silencer	.52/0316	
12	1	Ring	307/2530	
13	1	Retainer spring	304/7804	
14	2	O-ring	307/2079	
15	1	Trigger	.52/0312	
16	1	Spring	304/7103	
17	2	Pin	303/1272	
18	1	O-ring	307/2187	
19	1	Valve	.52/0743	
20	1	Ball	307/2082	
21	1	Seal kit	307/2190	
22	1	Stuff	.52/0328	
23	1	Hood	.52/0326	
24	1	Spring	304/7520	
25	2	Key	304/4557	