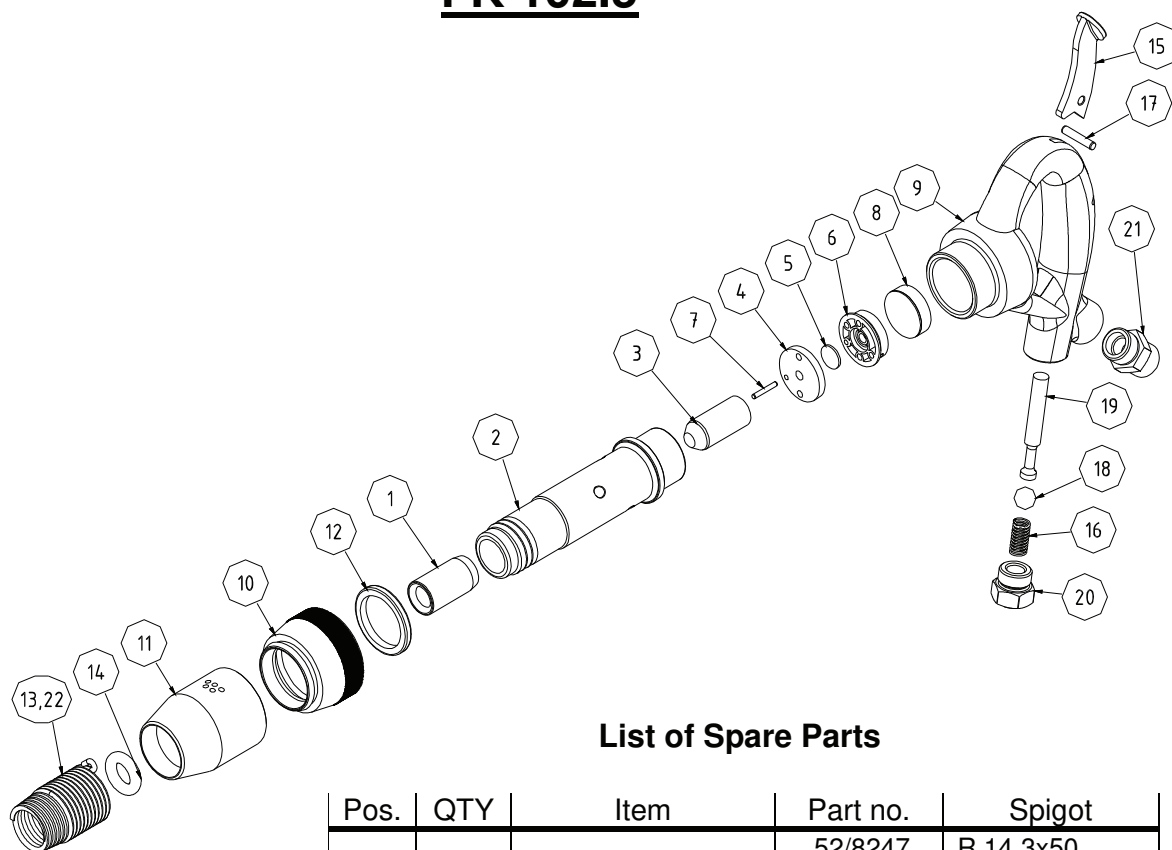


## FK 102.5



### List of Spare Parts

Pos.	QTY	Item	Part no.	Spigot
1	1	Bushing	.52/8247	R 14,3x50
			.52/8248	RS 14,3
2	1	Cylinder	.52/0024	
3	1	Piston	.52/0025	
4	1	Bottom cap	.52/0053	
5	1	Control plate	307/2501	
6	1	Top cap	.52/0052	
7	1	Pin	304/5646	
8	1	Buffer	307/2503	
9	1	Handle, complete	.52/0095	
10	1	Clamping nut	.52/0103	
11	1	Silencer	307/2539	
12	1	Ring	307/2560	
13	1	Retainer spring	304/7803	
14	2	O-ring	307/2079	
15	1	Trigger	.52/0057	
16	1	Spring	304/7018	
17	1	Pin	304/3442	
18	1	Ball	307/1987	
19	1	Valve	.52/0116	
20	1	Stuff	306/0202	
21	1	Fitting	306/0223	
22	1	Retainer spring	304/7804	chisel blades from 40 mm